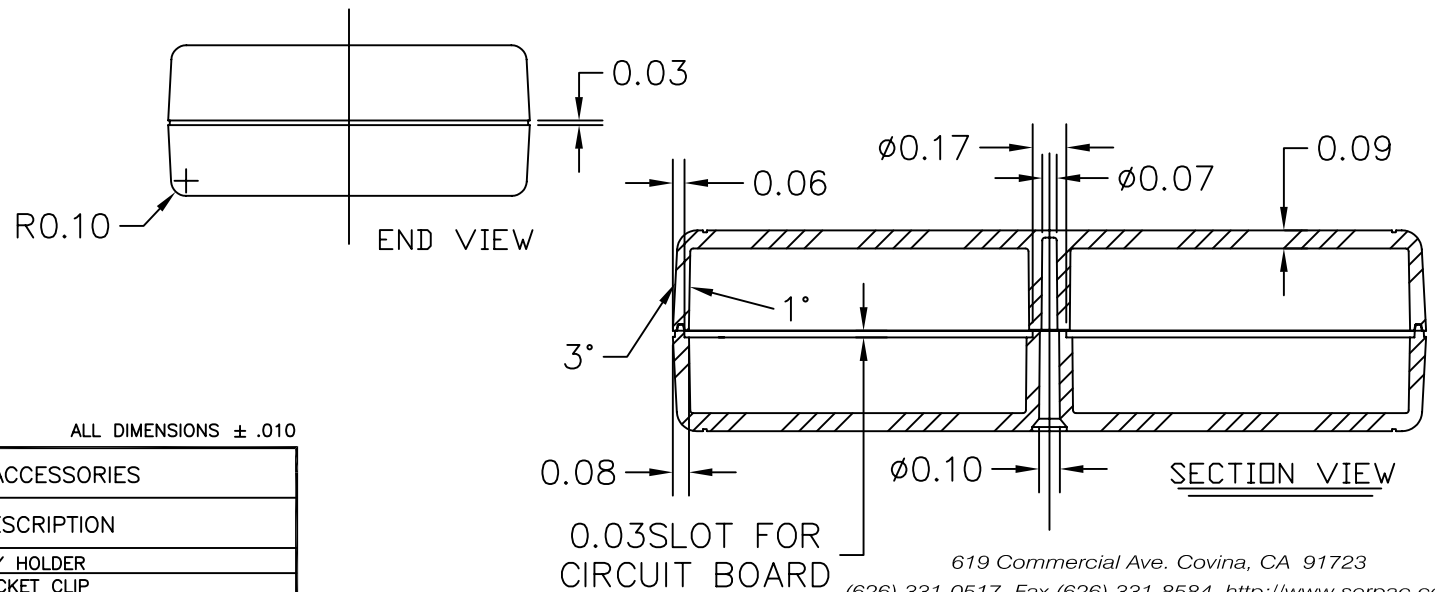
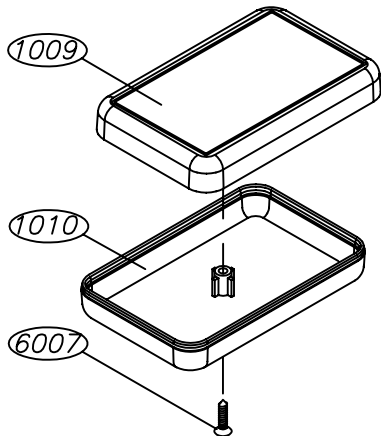
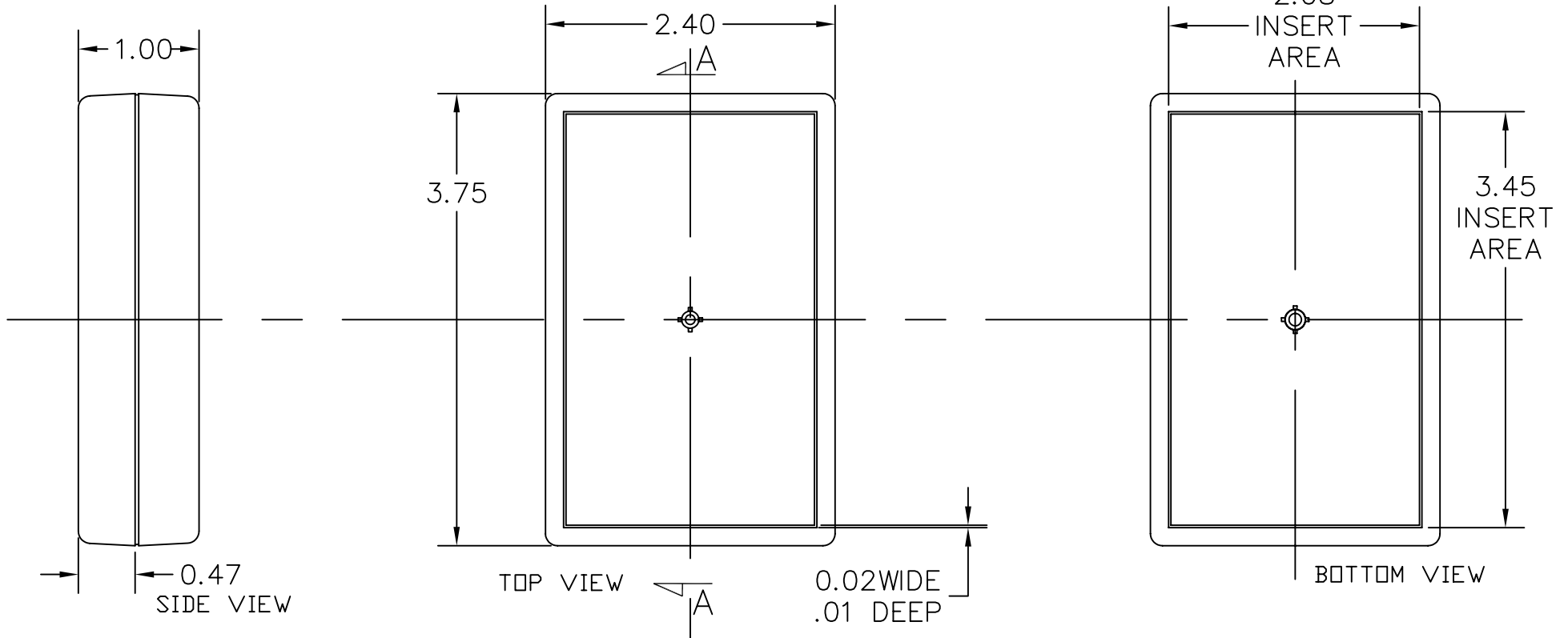


SERPAC C-12

Electronics Enclosures

NOTES:

1. WHEN MACHINE OR I PLATES MODIFICATIONS ARE REQUIRED, USE THE CENTER OF THE ENCLOSURE TO DIMENSION.



7/26/07

ALL DIMENSIONS $\pm .010$

PART NO.	DESCRIPTION	ACCESSORIES	
1010	PLASTIC TOP	PART NO.	DESCRIPTION
1009	PLASTIC BOTTOM	55	KEY HOLDER
6007	SCREW	1030	POCKET CLIP